



**AE-33**

Pages  
1 to 10

# Tracheotomy

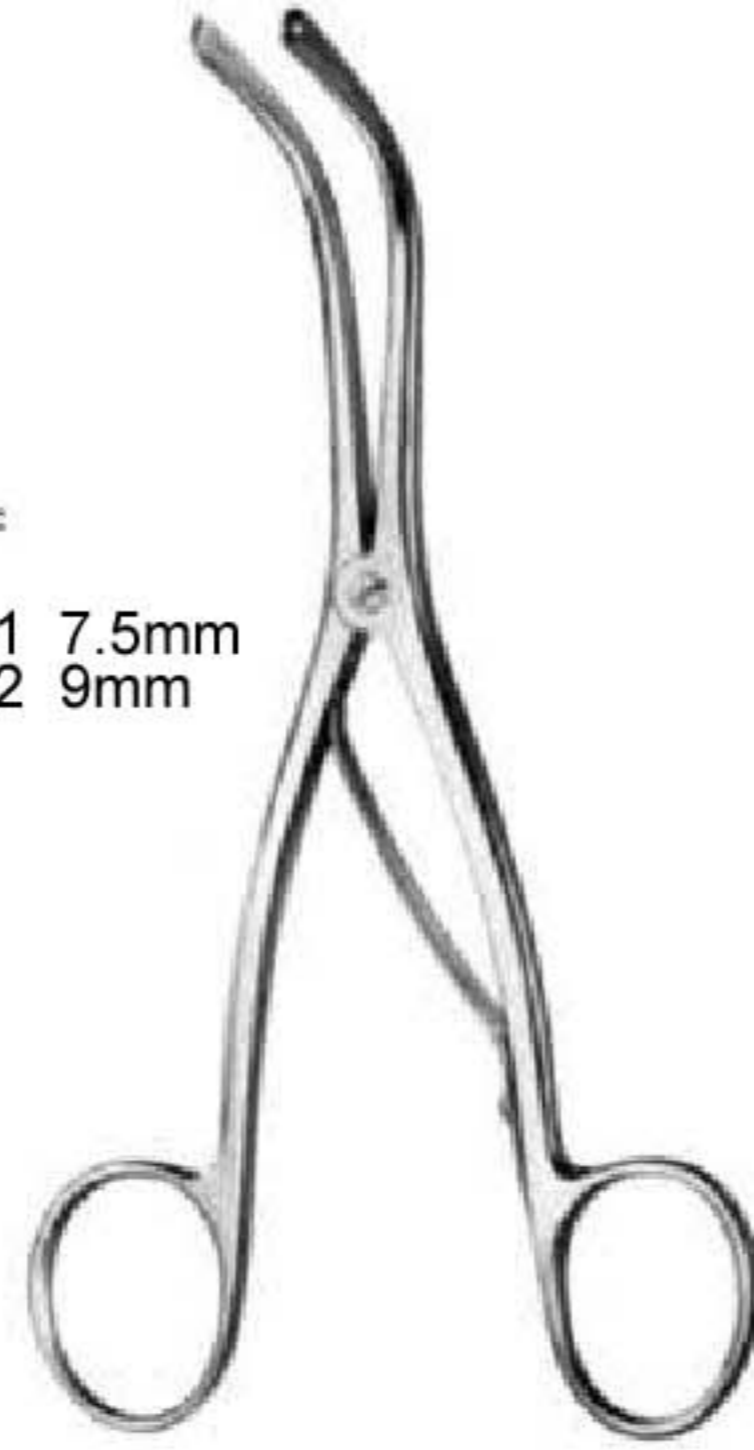


**Tracheotomy**



AE-33-3301.1 7.5mm  
AE-33-3301.2 9mm

**UCKERMANN**  
13.0cm



**TROUSSEAU**  
AE-33-3302.1 12.0cm  
AE-33-3302.2 14.0cm



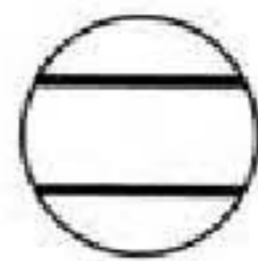
**LABORDE**  
AE-33-3303 14.0cm



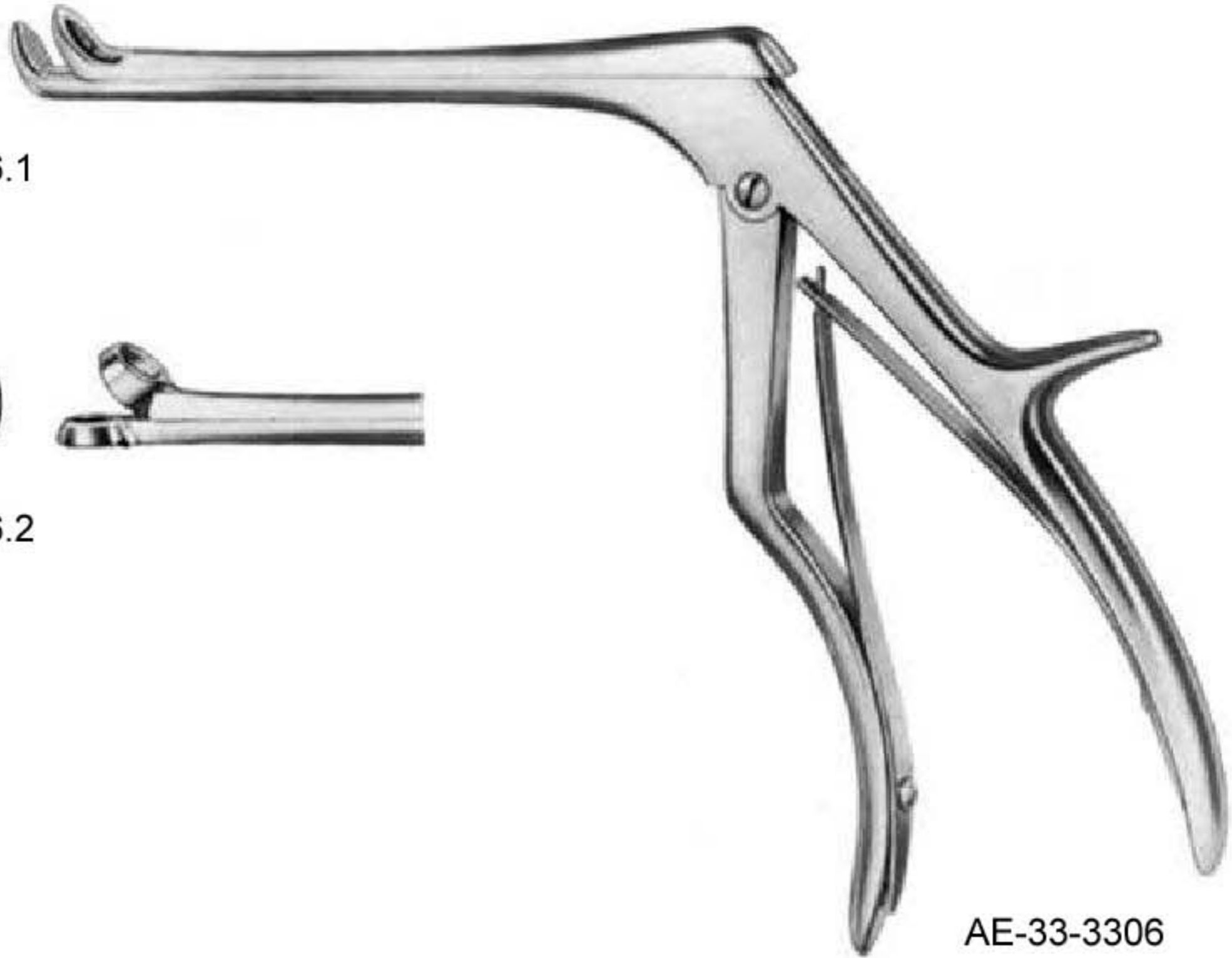
**WEERDA**  
AE-33-3304 19.0cm



AE-33-3306.1



AE-33-3306.2



AE-33-3306



**BOSE**  
AE-33-3305 7.0cm

**AE-33-1**

**Tracheotomy**



LUKENS  
AE-33-3307 17.0cm



JACKSON  
AE-33-3308 17.0cm



JACKSON  
sharp blunt  
AE-33-3309 18.0cm AE-33-3310



AE-33-3311.1 sharp  
AE-33-3311.2 blunt  
18.0cm



AE-33-3312.1 sharp  
AE-33-3312.2 blunt  
18.0cm



SCHOENBORN  
AE-33-3313 21.0cm

**AE-33-2**

Tracheotomy



ROSE  
 AE-33-3314 13.0cm



LUER  
 AE-33-3315 11.0cm



JACKSON  
 AE-33-3316 15.0cm



AE-33-3317 15.0cm



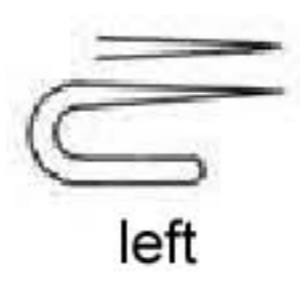
ITERSON  
 16.0cm



AE-33-3318.1

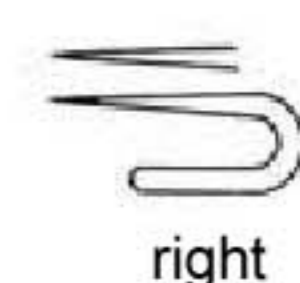


AE-33-3318.2



left

BOSE  
 AE-33-3319 16.0cm



right

BOSE  
 AE-33-3320 16.0cm

International Scale

Fig.	0	1	2	3	4	5	6	7	8	9
Diameter	④	⑤	⑥	⑦	⑧	⑨	⑩	⑪	⑫	⑬mm
Length of outer tube N	45	50	55	60	65	70	75	80	85	90mm



Fig.	LUER mm	45-90mm	95mm	105mm
0	4	AE-33-3321.1		
1	5	AE-33-3321.2		
2	6	AE-33-3321.3		
3	7	AE-33-3321.4		
4	8	AE-33-3321.5	AE-33-3322.5	AE-33-3323.5
5	9	AE-33-3321.6	AE-33-3322.6	AE-33-3323.6
6	10	AE-33-3321.7	AE-33-3322.7	AE-33-3323.7
7	11	AE-33-3321.8	AE-33-3322.8	AE-33-3323.8
8	12	AE-33-3321.9	AE-33-3322.9	AE-33-3323.9
9	13	AE-33-3321.10	AE-33-3322.10	AE-33-3323.10

Fig.	mm	CHEVALIER-JACKSON 45-90mm
0	4	AE-33-3324.1
1	5	AE-33-3324.2
2	6	AE-33-3324.3
3	7	AE-33-3324.4
4	8	AE-33-3324.5
5	9	AE-33-3324.6
6	10	AE-33-3324.7
7	11	AE-33-3324.8
8	12	AE-33-3324.9
9	13	AE-33-3324.10

## Tracheotomy



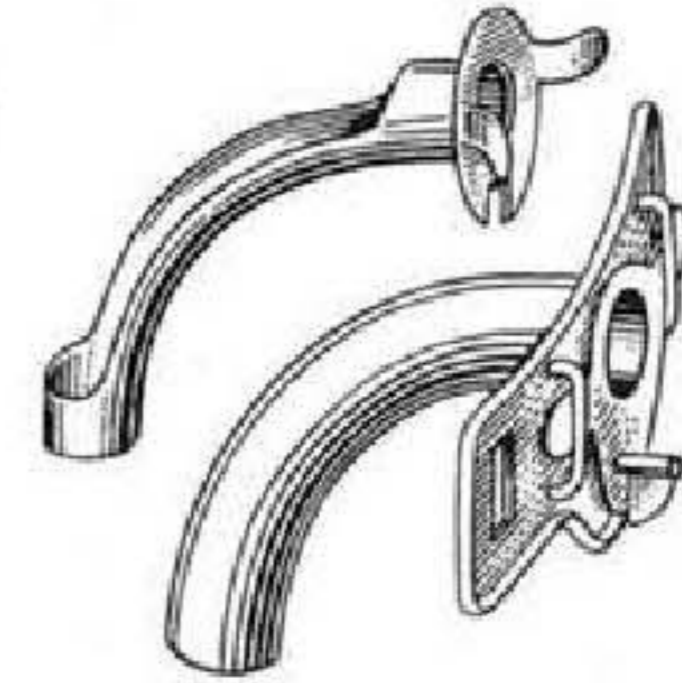
**KRISHABER**

Fig.	mm	
0	4	AE-33-3325.1
1	5	AE-33-3325.2
2	6	AE-33-3325.3
3	7	AE-33-3325.4
4	8	AE-33-3325.5
5	9	AE-33-3325.6
6	10	AE-33-3325.7
7	11	AE-33-3325.8
8	12	AE-33-3325.9



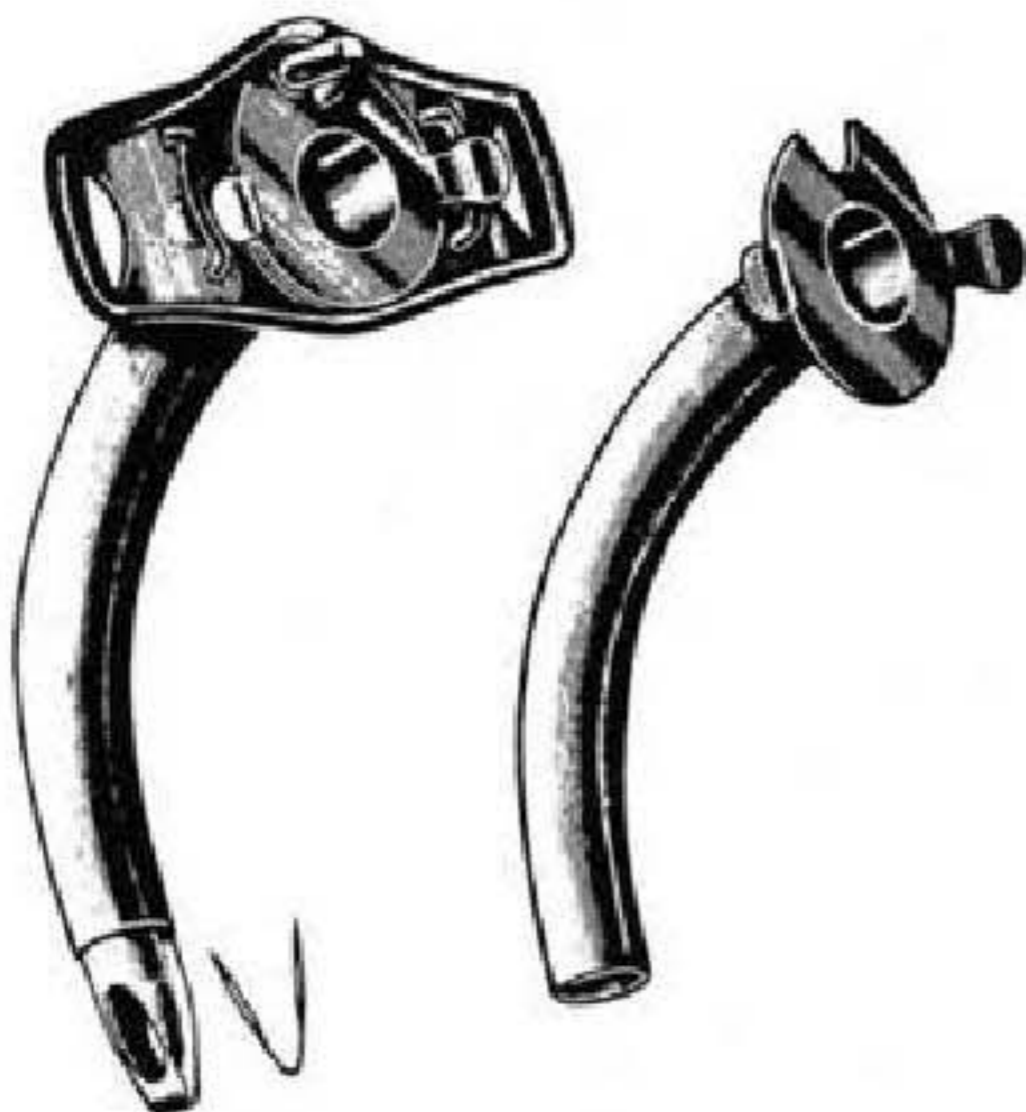
**KRISHABER-LUER**

Fig.	mm	
0	4	AE-33-3326.1
1	5	AE-33-3326.2
2	6	AE-33-3326.3
3	7	AE-33-3326.4
4	8	AE-33-3326.5
5	9	AE-33-3326.6
6	10	AE-33-3326.7
7	11	AE-33-3326.8
8	12	AE-33-3326.9



**PAEKER**

Fig.	F.G	
1	16	AE-33-3327.1
2	18	AE-33-3327.2
3	20	AE-33-3327.3
4	22	AE-33-3327.4
5	24	AE-33-3327.5
6	26	AE-33-3327.6
7	28	AE-33-3327.7
8	30	AE-33-3327.8
9	32	AE-33-3327.9



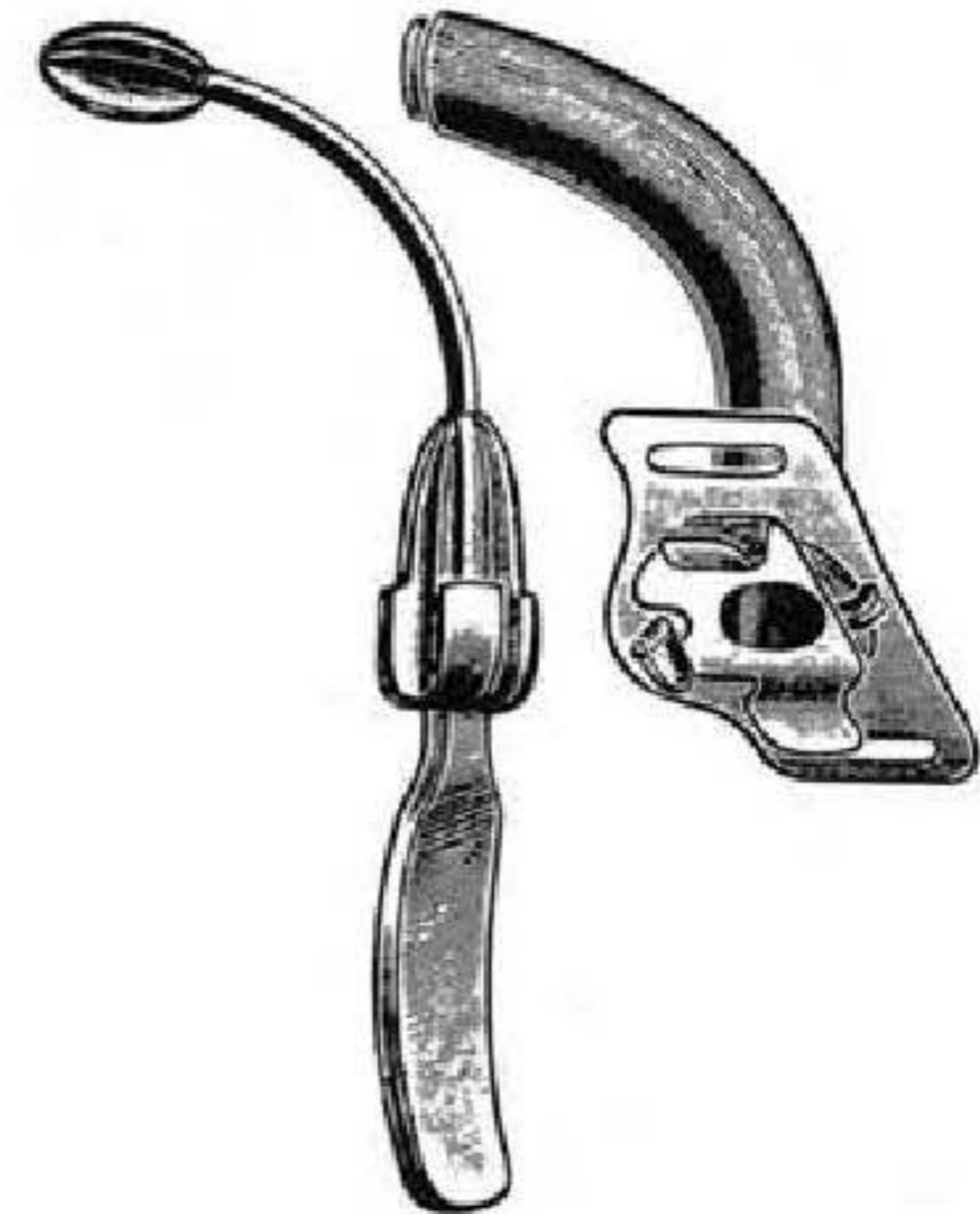
**COLLIN**

Fig	mm	
0	4	AE-33-3328.1
1	5	AE-33-3328.2
2	6	AE-33-3328.3
3	7	AE-33-3328.4
4	8	AE-33-3328.5
5	9	AE-33-3328.6
6	10	AE-33-3328.7
7	11	AE-33-3328.8
8	12	AE-33-3328.9



**FULLER**

Fig	F.G	
1	18	AE-33-3329.1
2	20	AE-33-3329.2
3	22	AE-33-3329.3
4	24	AE-33-3329.4
5	26	AE-33-3329.5
6	28	AE-33-3329.6
7	30	AE-33-3329.7
8	32	AE-33-3329.8



**CUBLEY**

Fig	F.G	
1	16	AE-33-3330.1
2	18	AE-33-3330.2
3	20	AE-33-3330.3
4	22	AE-33-3330.4
5	24	AE-33-3330.5
6	26	AE-33-3330.6
7	28	AE-33-3330.7
8	30	AE-33-3330.8
9	32	AE-33-3330.9

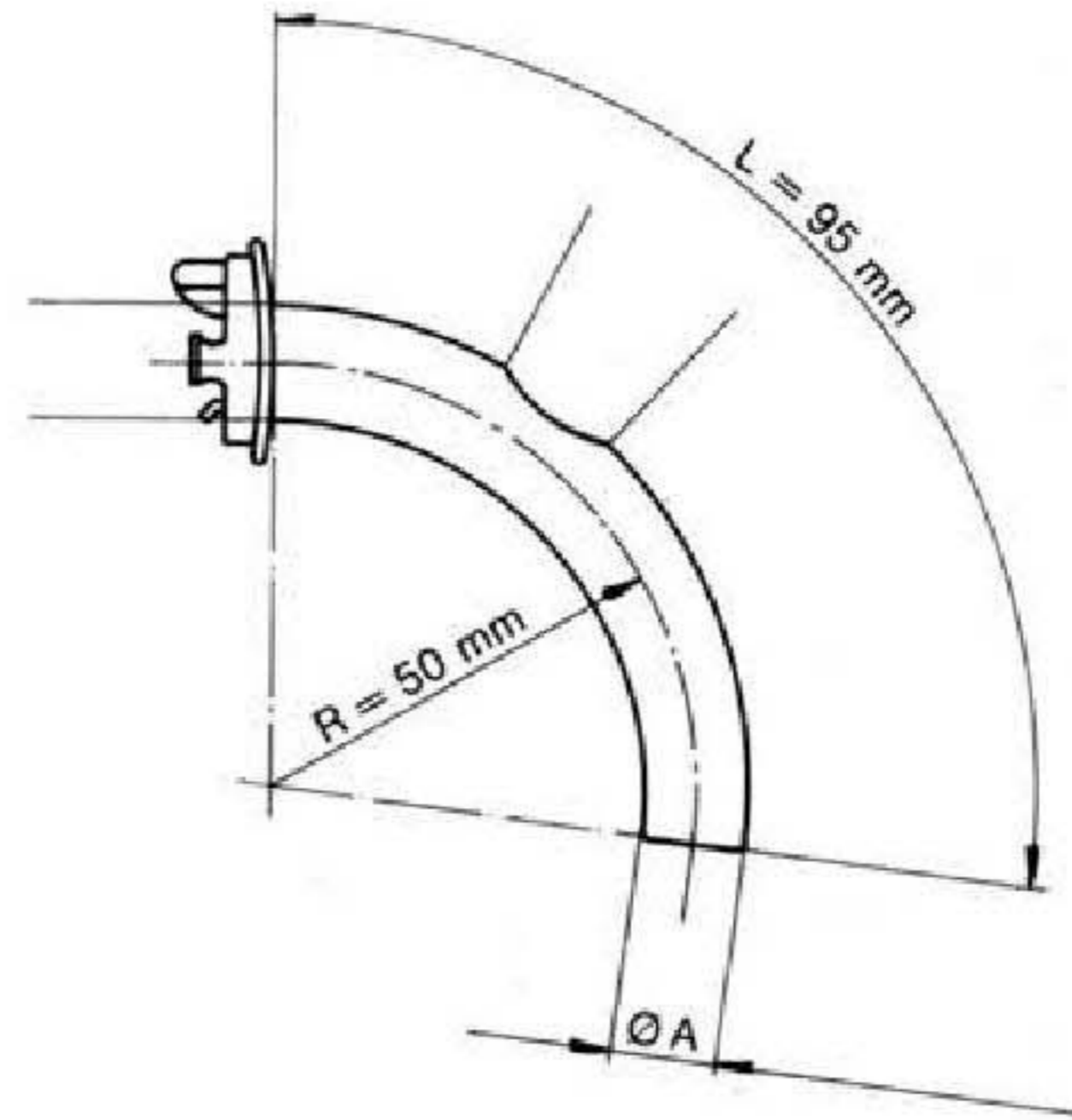
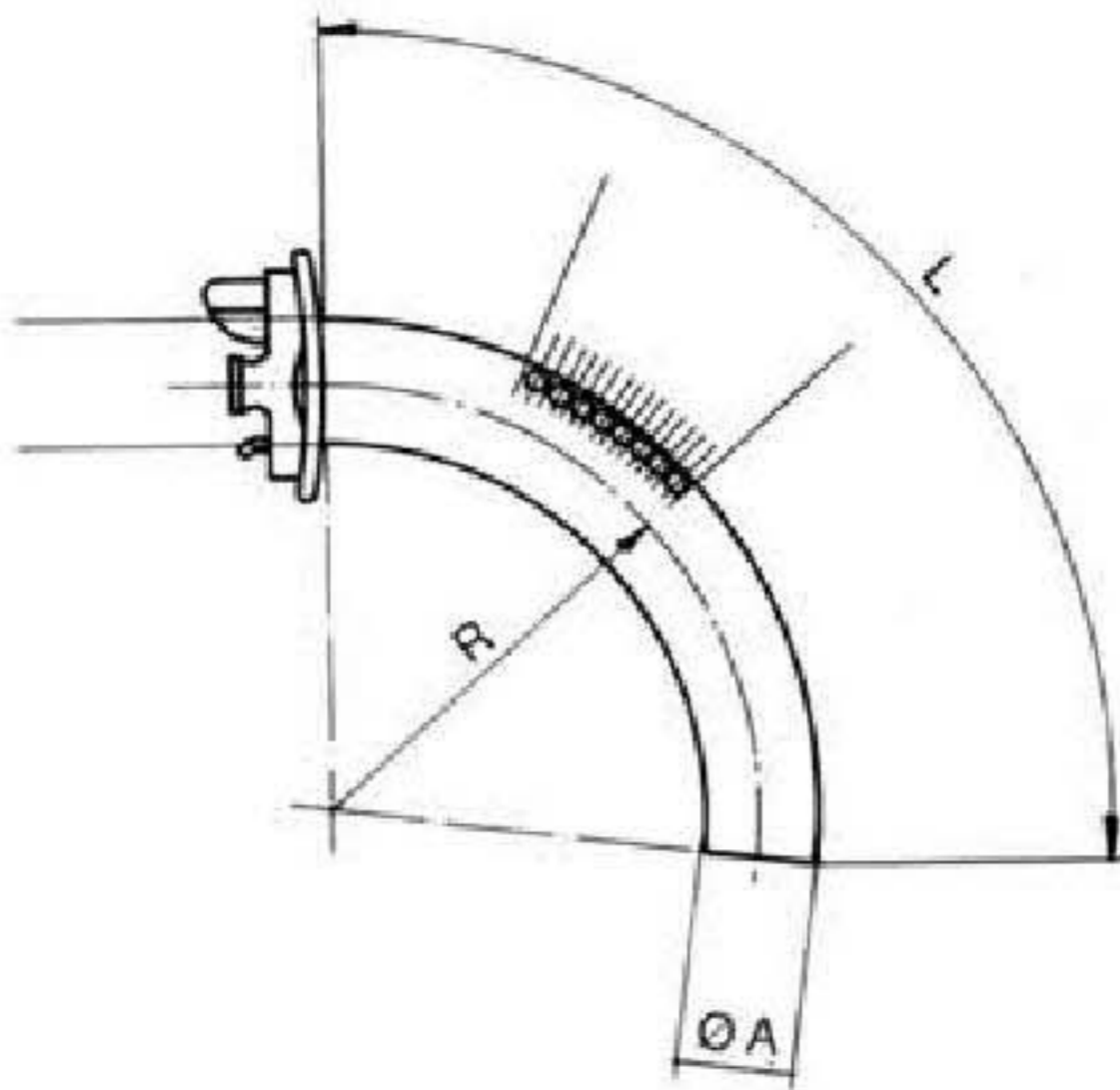


Fig		A	L	R
0	AE-33-3331.1	8	65	36.5
1	AE-33-3331.2	9	70	29
2	AE-33-3331.3	10	75	40.5
3	AE-33-3331.4	11	80	41.5
4	AE-33-3331.5	12	85	43
5	AE-33-3331.6	13	90	47.5

Fig		A	L	R
0	AE-33-3332.1	8	95	50
1	AE-33-3332.2	9	95	50
2	AE-33-3332.3	10	95	50
3	AE-33-3332.4	11	95	50
4	AE-33-3332.5	12	95	50
5	AE-33-3332.6	13	95	50

**Tracheotomy**

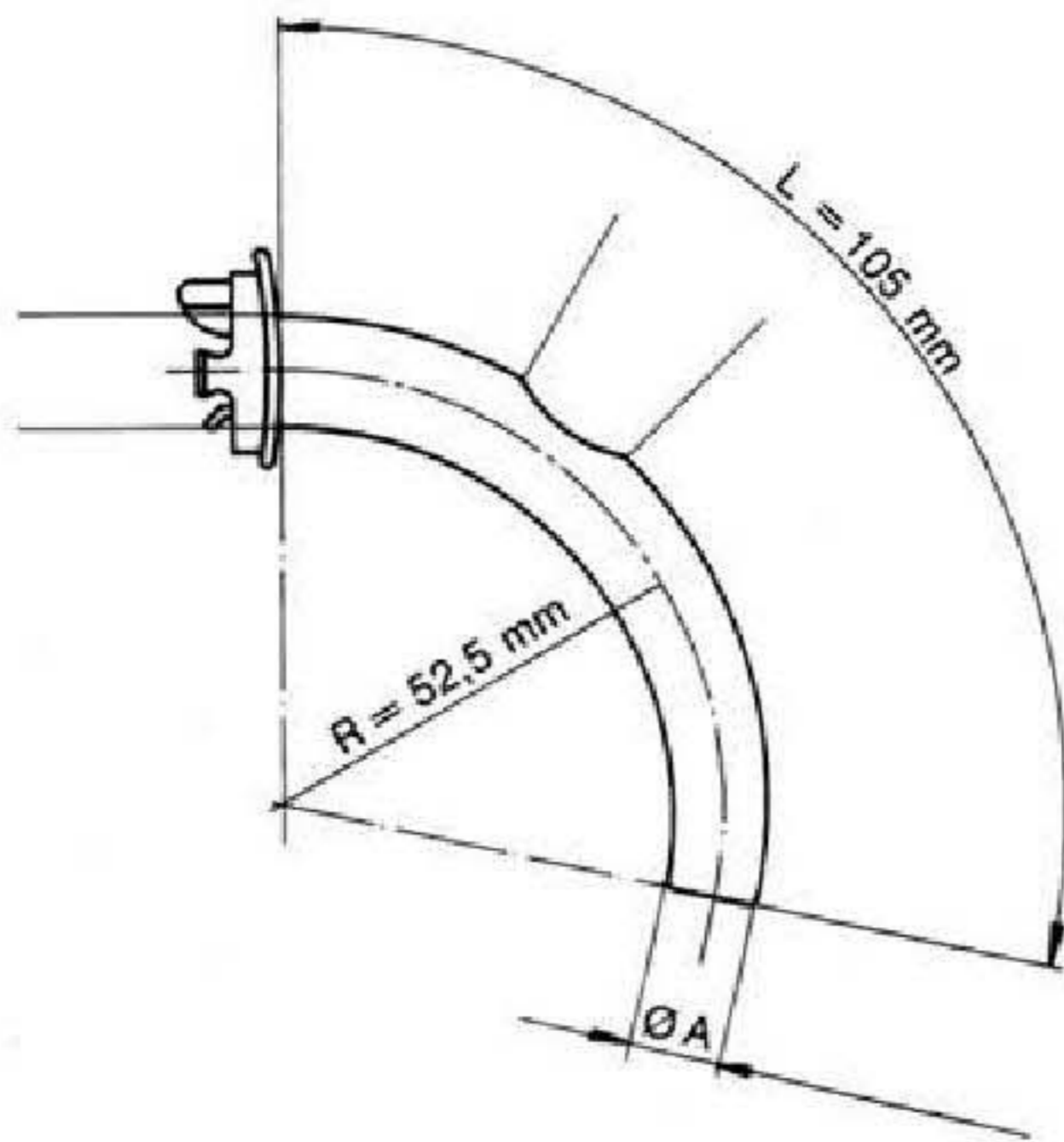


Fig		A	L	R
0	AE-33-3333.1	8	105	52.5
1	AE-33-3333.2	9	105	52.5
2	AE-33-3333.3	10	105	52.5
3	AE-33-3333.4	11	105	52.5
4	AE-33-3333.5	12	105	52.5
5	AE-33-3333.6	13	105	52.5

12mm



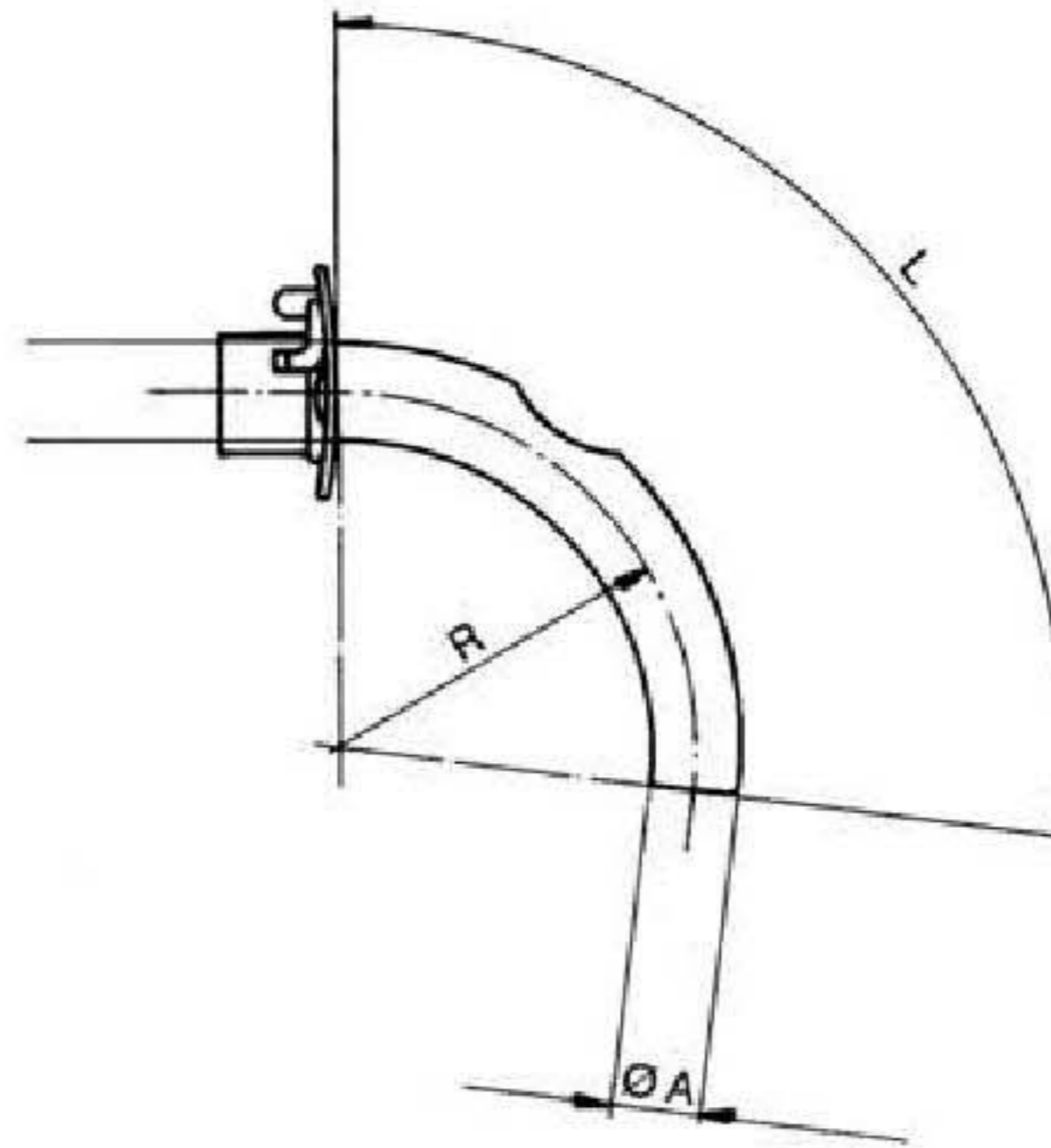
AE-33-3334 26.0cm



AE-33-3335.1 5mm  
AE-33-3335.2 7mm  
AE-33-3335.3 9mm

WAGENER-MOSHER  
20.0cm





Flexible

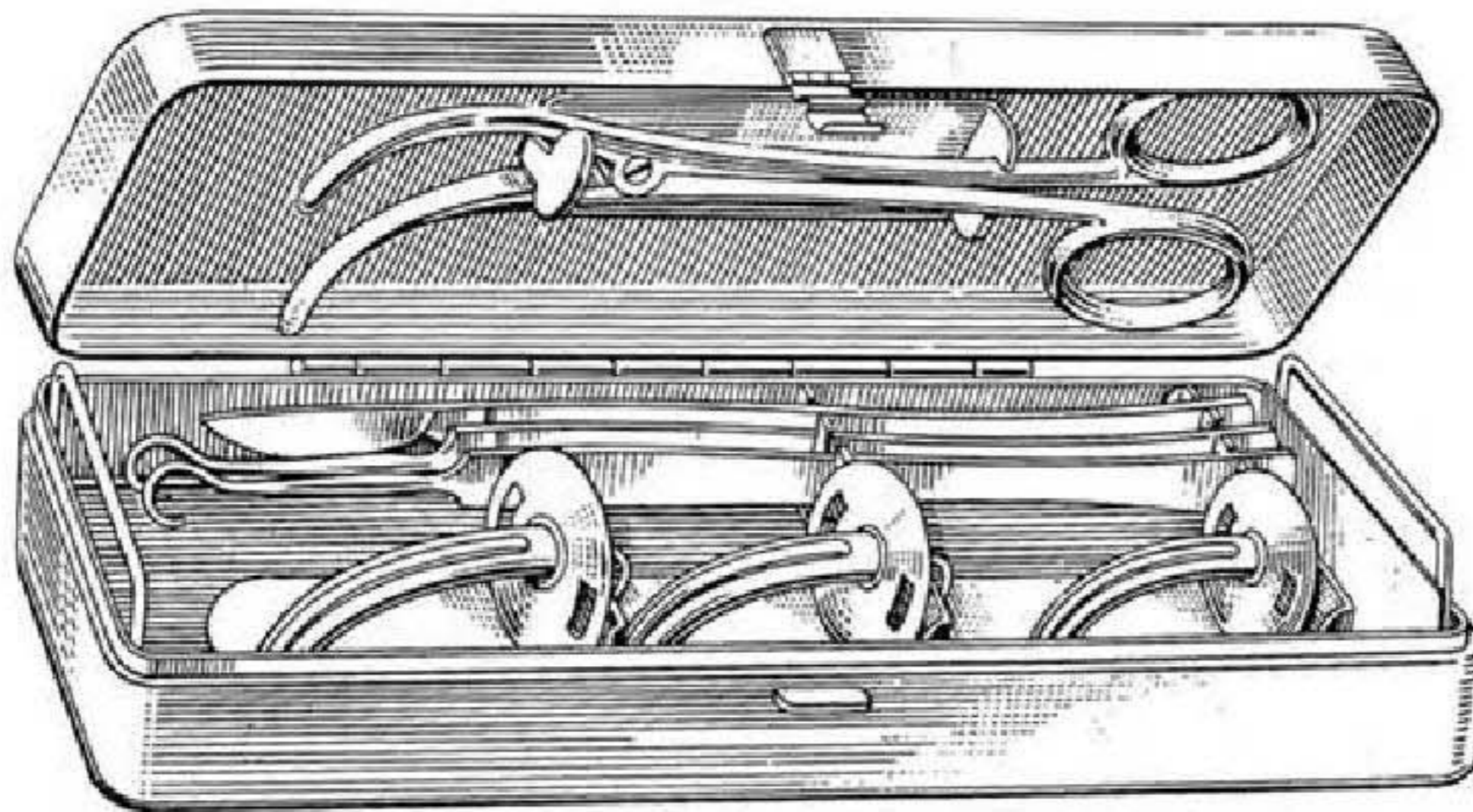
KOEING

Fig	mm	50-80mm
1	5	AE-33-3336.1
2	6	AE-33-3336.2
3	7	AE-33-3336.3
4	8	AE-33-3336.4
5	9	AE-33-3336.5
6	10	AE-33-3336.6
7	11	AE-33-3336.7



Fig		A	L	R
0	AE-33-3337.1	8	65	36.5
1	AE-33-3337.2	9	70	39
2	AE-33-3337.3	10	75	40.5
3	AE-33-3337.4	11	80	41.5
4	AE-33-3337.5	12	85	43
5	AE-33-3337.6	13	90	47.5

**Tracheotomy**



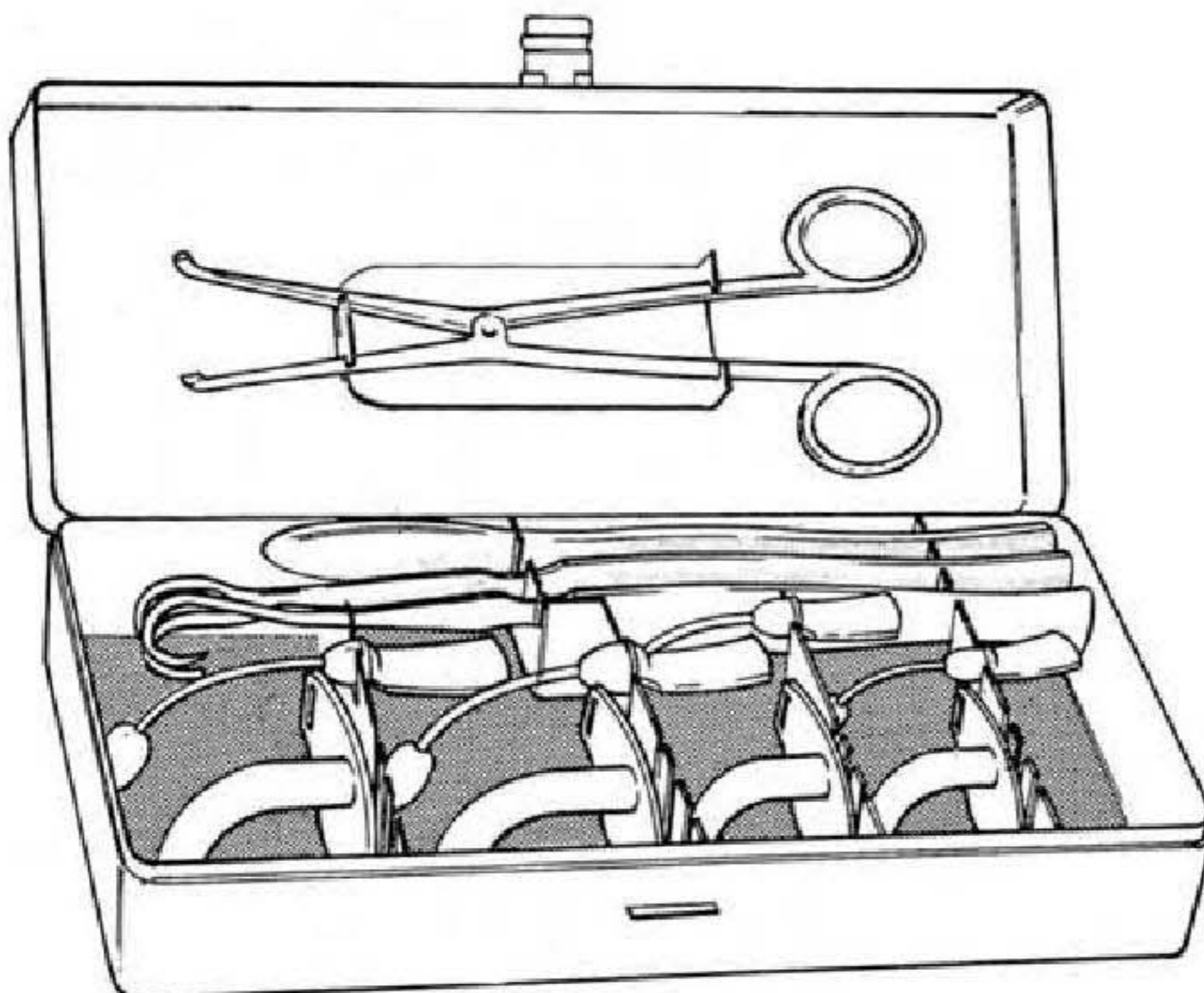
AE-33-3338

**TRACHEOTOMY SET**

AE-33-3338

complete in stainless steel case comprising

- AE-33-3338.1 Fuller tracheotomy tube, 18
- AE-33-3338.2 Fuller tracheotomy tube, 22
- AE-33-3338.3 Fuller tracheotomy tube, 26
- AE-33-3338.4 Tracheal hook, sharp
- AE-33-3338.5 Tracheal hook, blunt
- AE-33-3338.5 Scalpel, stainless, 3cm
- AE-33-3338.6 Trausseau, tracheal, dilating forceps



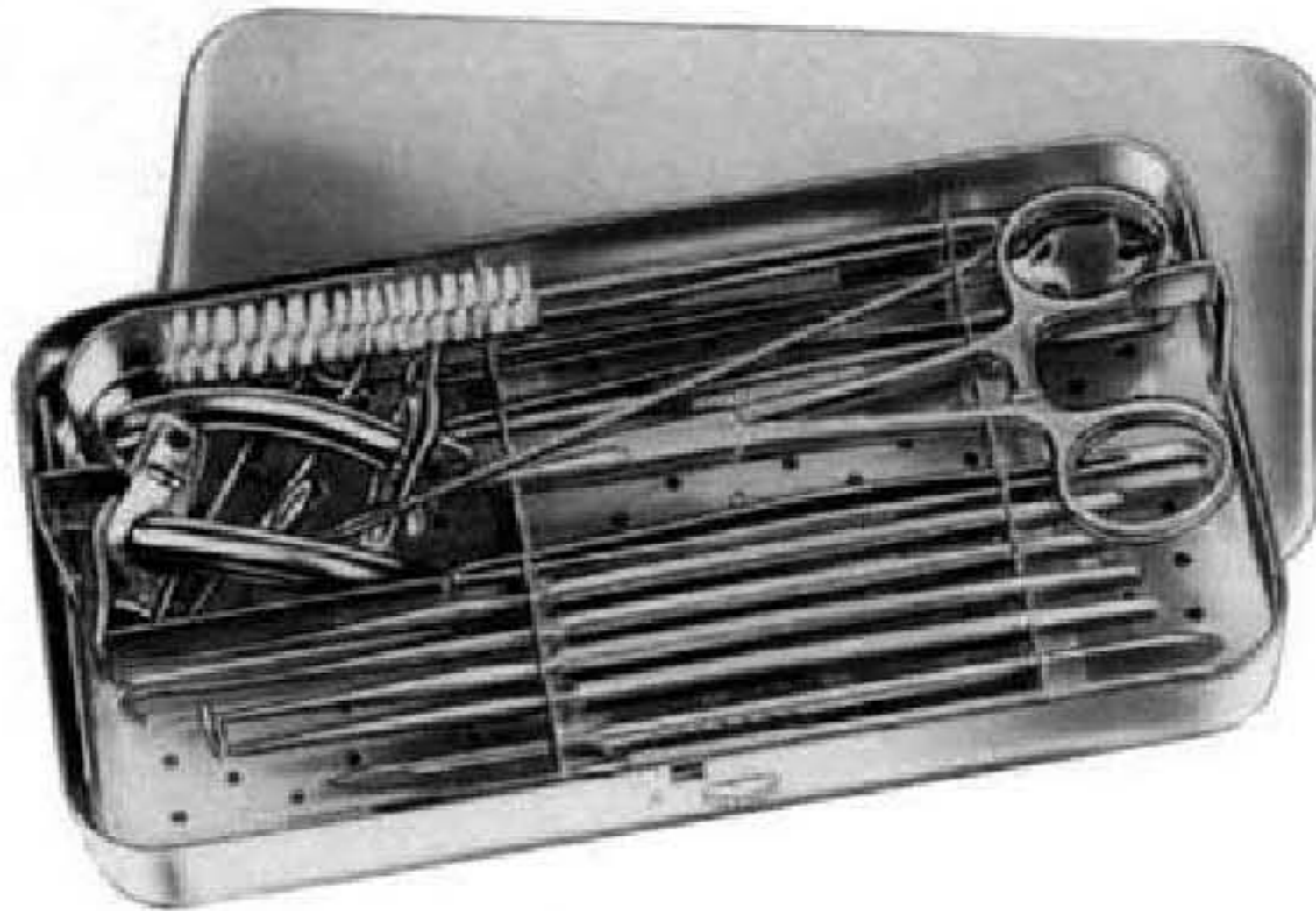
AE-33-3339

**TRACHEOTOMY SET**

AE-33-3339

complete in stainless steel case comprising

- AE-33-3339.1 Parker tracheotomy tube, 18
- AE-33-3339.2 Parker tracheotomy tube, 22
- AE-33-3339.3 Parker tracheotomy tube, 24
- AE-33-3339.4 Parker tracheotomy tube, 26
- AE-33-3339.5 Tracheal hook, sharp
- AE-33-3339.6 Tracheal hook, double blunt
- AE-33-3339.7 Scalpel, stainless, 3cm
- AE-33-3339.8 Trausseau, tracheal, dilating forceps



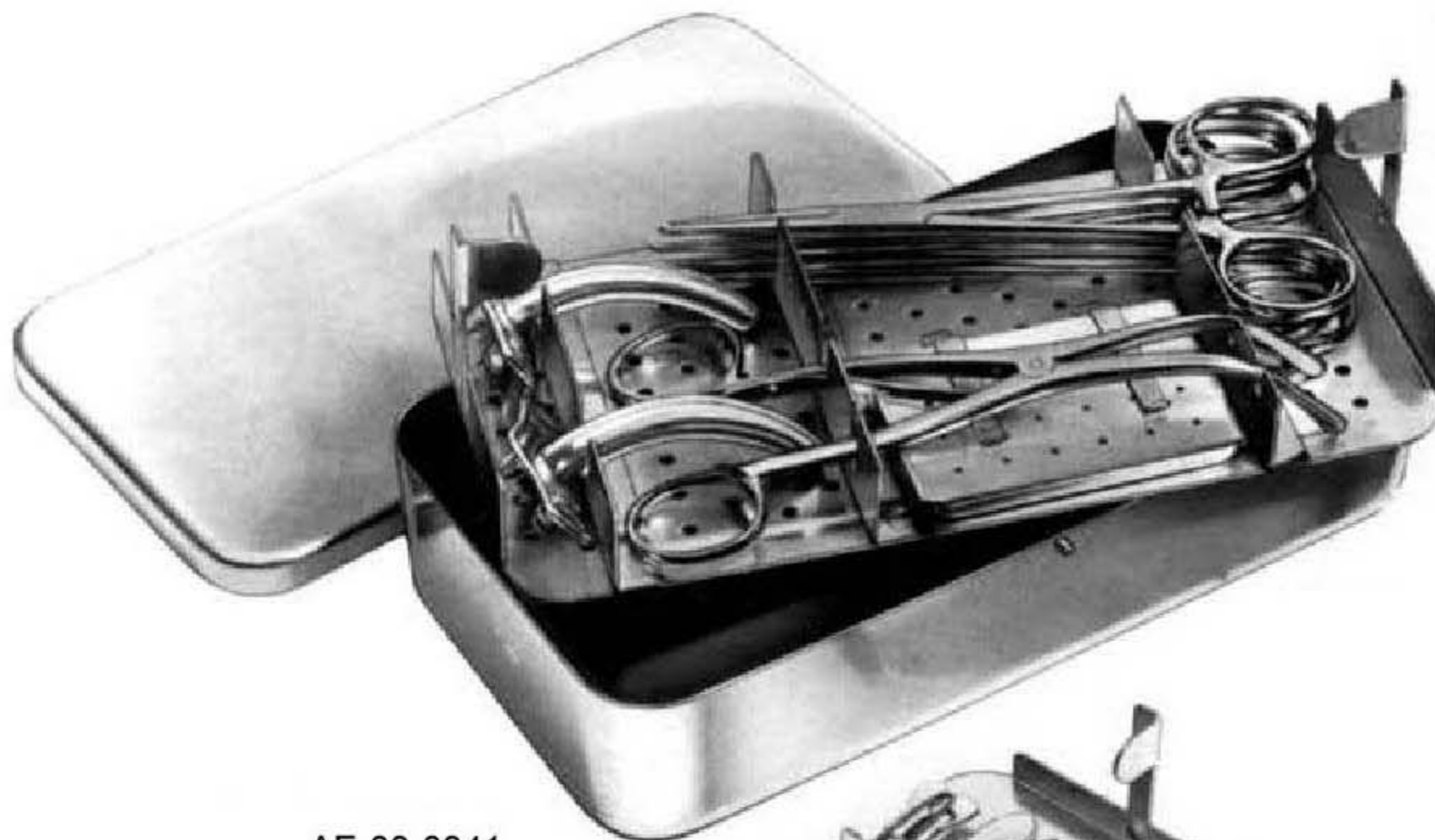
AE-33-3340  
200 X 105 X 30mm

**TRACHEOTOMY SET**

AE-33-3340

Complete in metal case, consisting of:

- AE-33-3340.1 1 Handle with 1 blade Fig. 20
- AE-33-3340.2 1 Handle with 1 blade Fig. 23
- AE-33-3340.3 1 Thumb forceps, 13.0cm
- AE-33-3340.4 1 Tissue forceps, 13.0cm 1 X 2 teeth
- AE-33-3340.5 2 Pean artery forceps, 13.0cm
- AE-33-3340.6 1 Grooved director, 14.0cm
- AE-33-3340.7 1 Trachea dilator
- AE-33-3340.8 2 Iterson trachea retractors, blunt
- AE-33-3340.9 1 Bose trachea retractor, sharp left hand side
- AE-33-3340.10 1 Ditto, right hand size
- AE-33-3340.11 1 Luer trachea tube, standard
- AE-33-3340.12 1 Ditto
- AE-33-3340.13 1 Cleaning brush



AE-33-3341  
200 X 100 X 40mm

**TRACHEOTOMY SET**

AE-33-3341

Complete in metal case 200X100X40 mm, with 2 perforated trays of 18/8 s/s containing the following instruments:

- AE-33-3341.1 1 Scalpel handle no.4 with blade no.20
- AE-33-3341.2 1 Scalpel handle no. 4 with blade no.23
- 3 Scalpel blade, assorted, in perforated small case
- 1 small case for above scalpel blade
- AE-33-3341.3 1 Dressing forceps, serrated, 13.0cm
- AE-33-3341.4 2 Tissue forceps, 1 x 2 teeth, 13.0cm
- AE-33-3341.5 4 Crile artery forceps, straight, 14.0cm
- AE-33-3341.6 1 Grooved director, 14.0cm
- AE-33-3341.7 1 Trousseau trachea dilator, 14.0cm
- AE-33-3341.8 2 Iterson trachea hooks, blunt
- AE-33-3341.9 1 Bose hook, sharp, left hand size, 16.0cm
- AE-33-3341.10 1 Ditto, right hand size, 16.0cm
- AE-33-3341.11 1 Luer trachea tube, size 2.6mm diam German silver
- AE-33-3341.12 1 ditto, size 4.8mm diam, german silver
- AE-33-3341.13 1 Cleaning brush, 12mm diam 26.0cm