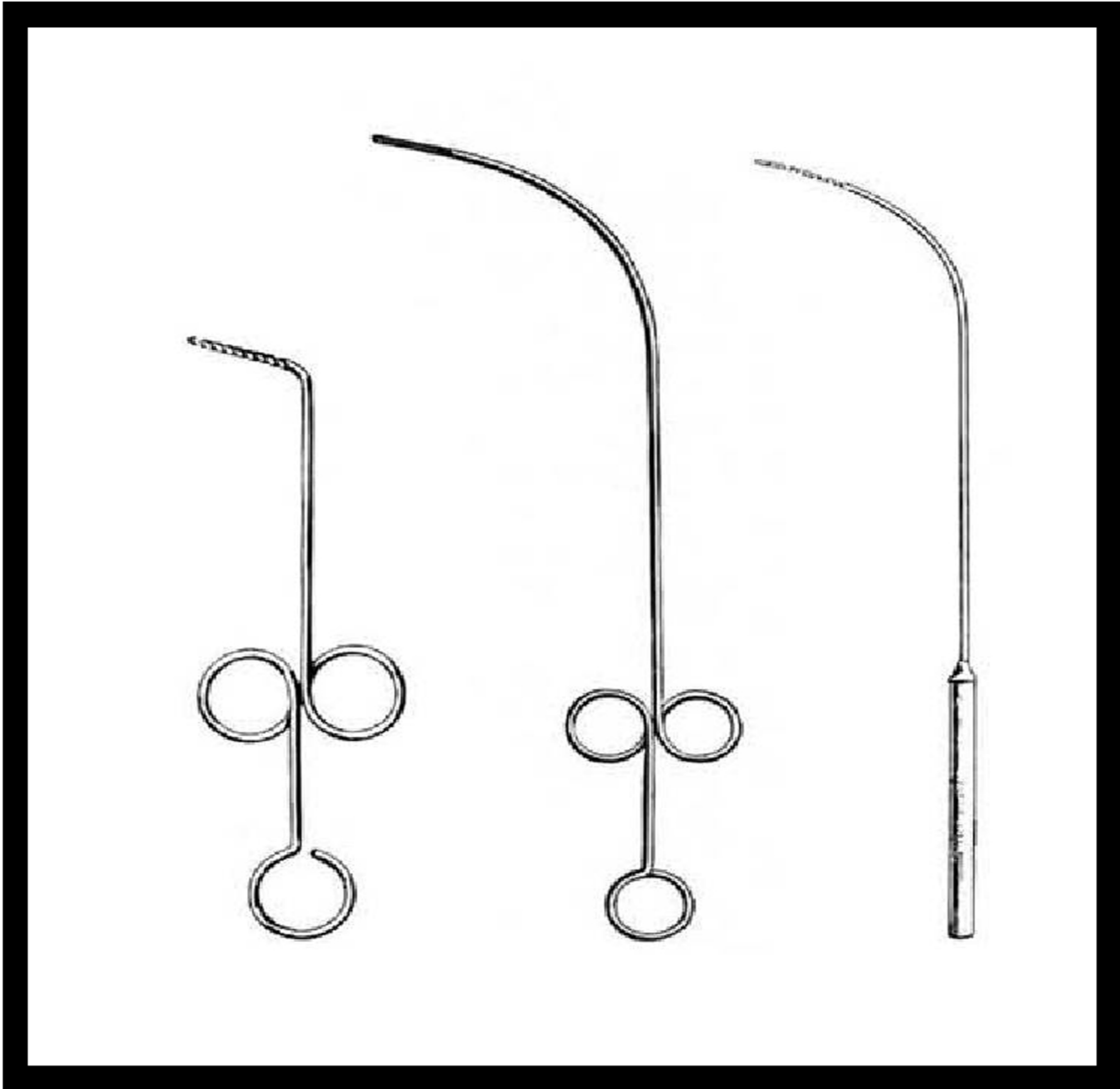














AE-26
Pages
1 to 6

Probe, Applicators



Probes, Applicators & Spatulas

					
	1mm	2mm			
11.5cm	AE-26-2601.1	AE-26-2602.1	AE-26-2603.1	AE-26-2604.1	AE-26-2605.1
12.0cm	AE-26-2601.2	AE-26-2602.2	AE-26-2603.2	AE-26-2604.2	AE-26-2605.2
14.0cm	AE-26-2601.3	AE-26-2602.3	AE-26-2603.3	AE-26-2604.3	AE-26-2605.3
16.0cm	AE-26-2601.4	AE-26-2602.4	AE-26-2603.4	AE-26-2604.4	AE-26-2605.4
18.0cm	AE-26-2601.5	AE-26-2602.5	AE-26-2603.5	AE-26-2604.5	AE-26-2605.5
20.0cm	AE-26-2601.6	AE-26-2602.6	AE-26-2603.6		
25.0cm	AE-26-2601.7	AE-26-2602.7	AE-26-2603.7		

					
10.5cm	AE-26-2606.1	SILVER		FISH	FISH
13.0cm	AE-26-2606.2	11.5cm	AE-26-2607.1	AE-26-2608.1	AE-26-2610
14.5cm	AE-26-2606.3	12.5cm	AE-26-2607.2	AE-26-2608.2	14.5cm
16.0cm	AE-26-2606.4	14.0cm	AE-26-2607.3	AE-26-2608.3	18.0cm
18.0cm	AE-26-2606.5	16.0cm	AE-26-2607.4	AE-26-2608.4	
20.0cm	AE-26-2606.6	18.0cm	AE-26-2607.5	AE-26-2608.5	
		20.0cm	AE-26-2607.6	AE-26-2608.6	
		25.0cm	AE-26-2607.7	AE-26-2608.7	

AE-26-1

Probes, Applicators & Spatulas



11.5cm AE-26-2611.1
12.5cm AE-26-2611.2
14.0cm AE-26-2611.3
16.0cm AE-26-2611.4
18.0cm AE-26-2611.5
20.0cm AE-26-2611.6



AE-26-2612.1
AE-26-2612.2
AE-26-2612.3
AE-26-2612.4
AE-26-2612.5
AE-26-2612.6



DOYEN
AE-26-2613 14.0cm



NELATON
AE-26-2614 16.0cm



AE-26-2615 12.0cm



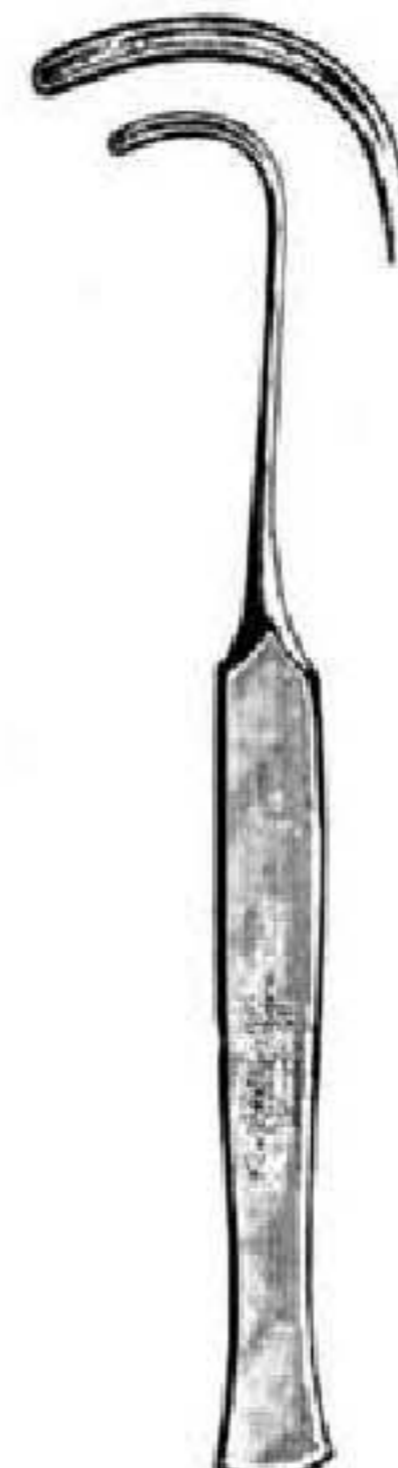
KRONECKER
AE-26-2616 13.0cm



JOHNS-HOPKINS
AE-26-2617 15.0cm



ROSER
AE-26-2618 12.5cm



SYME
AE-26-2619 17.0cm

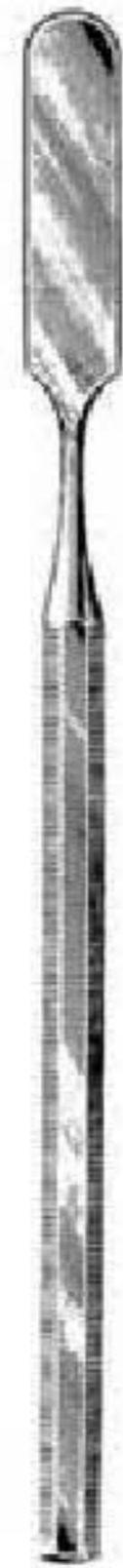


AE-26-2620 17.0cm

Probes, Applicators & Spatulas



AE-26-2621 13.0cm



AE-26-2622 17.5cm



MCDONALD
AE-26-2623 17.5cm



KILLIAN
AE-26-2624
19.0cm



WASTON CHEYENE
AE-26-2625
13.0cm
AE-26-2626
19.0cm



WASTON CHEYENE
AE-26-2627
17.5cm



PLAYFAIR
AE-26-2628
31.0cm



CHEYENE
AE-26-2629.1 12.5cm
AE-26-2629.2 17.5cm

Probes, Applicators & Spatulas



FARREL

FARREL

FARREL

- | | | | |
|--------|------------|------------|------------|
| 12.0cm | AE-26-2630 | AE-26-2635 | AE-26-2640 |
| 14.0cm | AE-26-2631 | AE-26-2636 | AE-26-2641 |
| 16.0cm | AE-26-2632 | AE-26-2637 | AE-26-2642 |
| 18.0cm | AE-26-2633 | AE-26-2638 | AE-26-2643 |
| 23.0cm | AE-26-2634 | AE-26-2639 | AE-26-2644 |

- AE-26-2645
AE-26-2646
AE-26-2647
AE-26-2648

- AE-26-2649
AE-26-2650
AE-26-2651
AE-26-2652

- AE-26-2653
AE-26-2654
AE-26-2655
AE-26-2656

JOBSON-HORNE

- AE-26-2657.1 12.5cm
AE-26-2657.2 18.0cm



JOBSON-HORNE
AE-26-2658
15.0cm

AE-26-2659
16.0cm

AE-26-2660
25.0cm

AE-26-2661
28.0cm

AE-26-2662
28.0cm

AE-26-2663
28.0cm

Sponge Holder

Schwammhalter

Porta-esponjas

Probes, Applicators & Spatulas



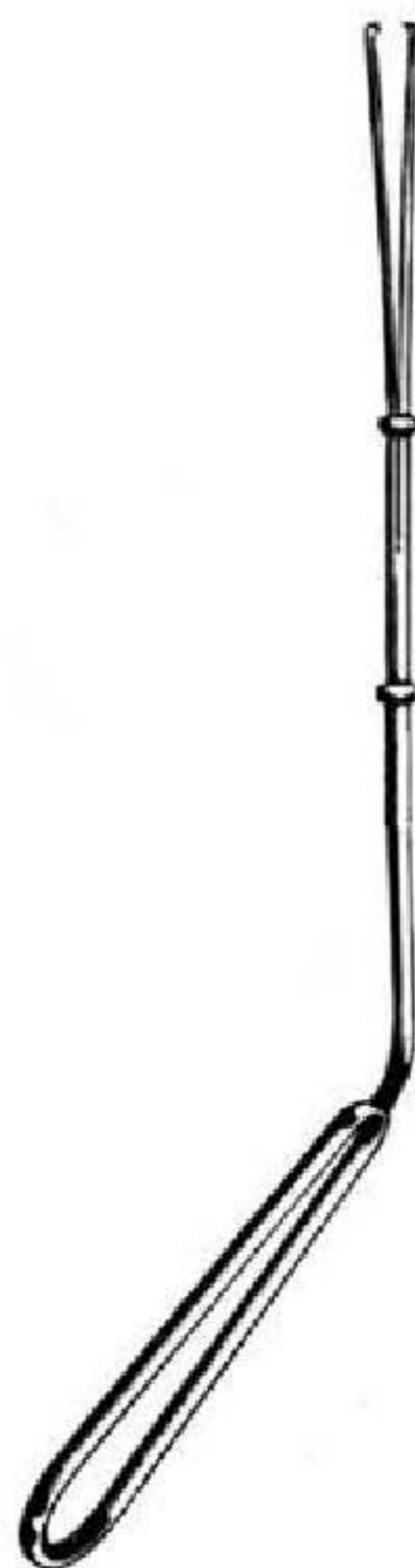
HARTMANN
AE-26-2664 20.0cm



FEIN
AE-26-2665 28.0cm



TOBOLD
AE-26-2666 25.0cm

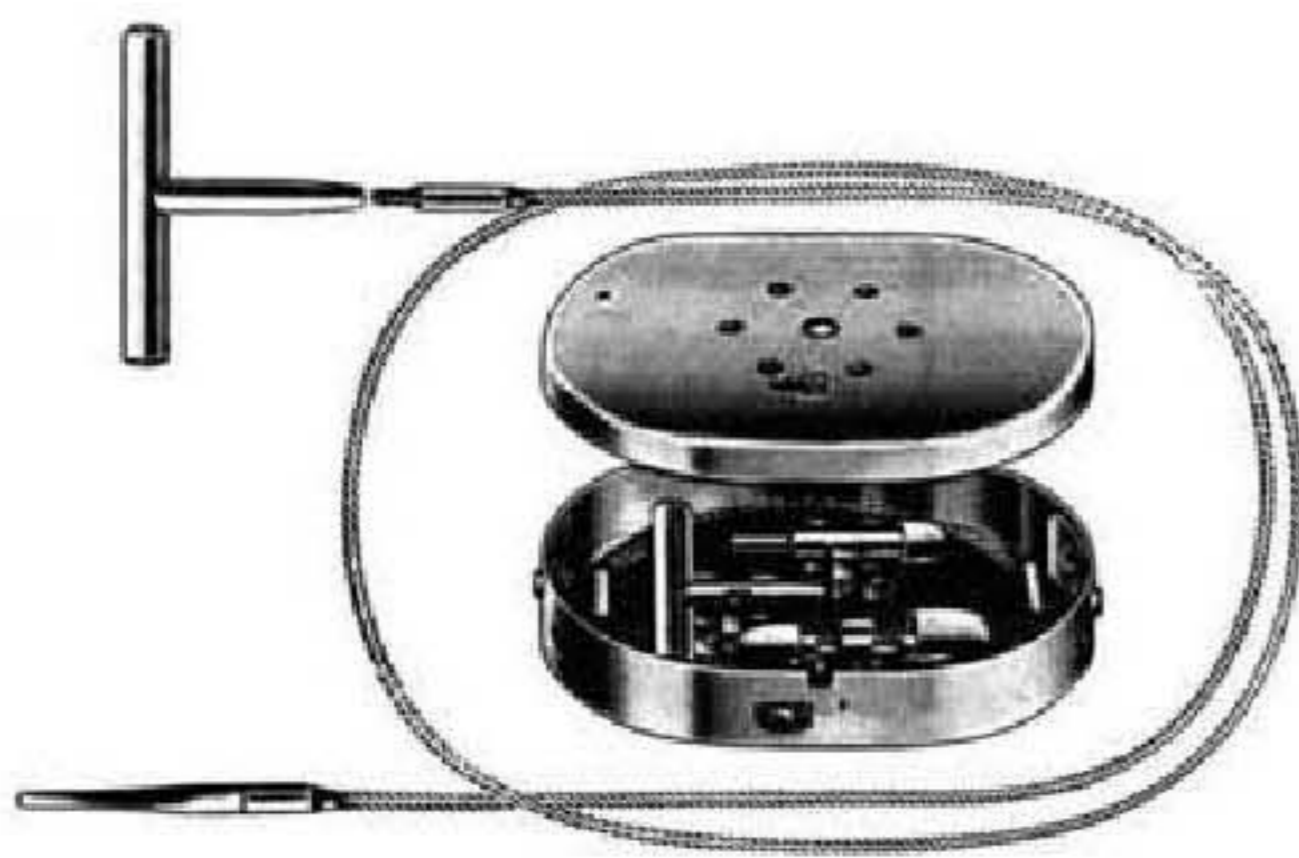


AE-26-2667 40.0cm



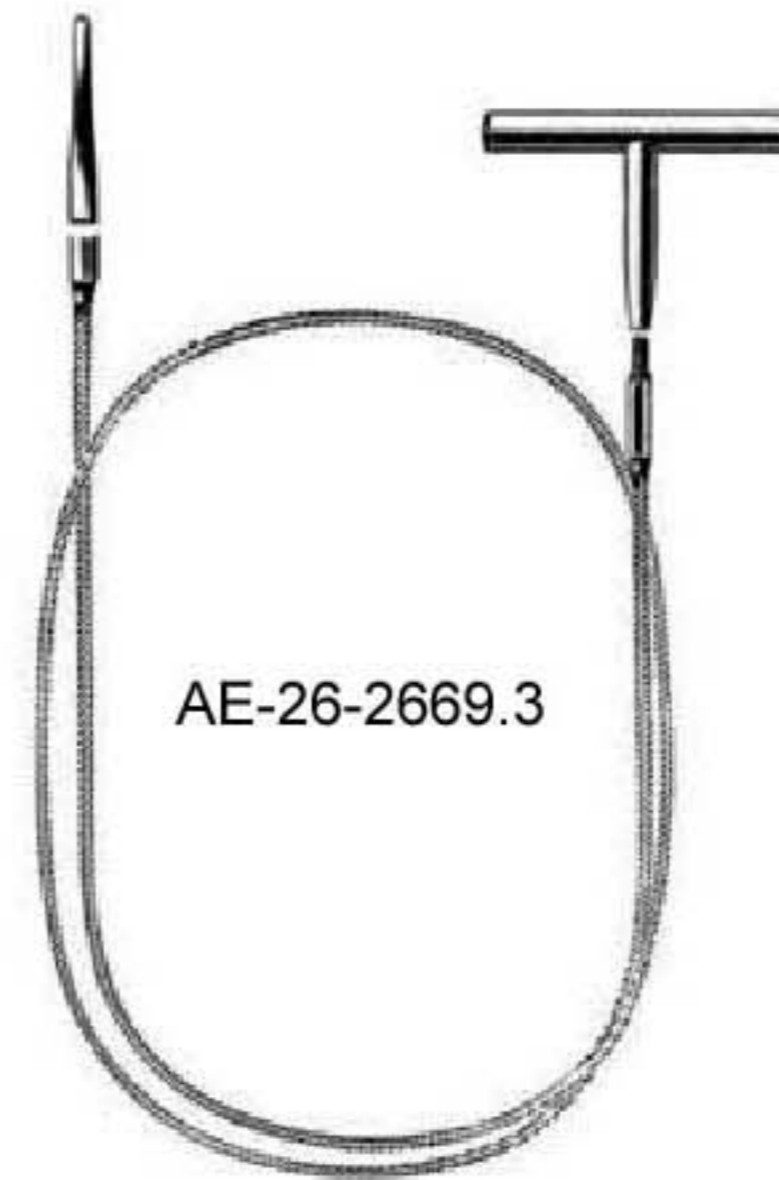
AE-26-2668 45.0cm

Probes, Applicators & Spatulas



NABATOFF
 AE-26-2669
 complete set
 135 X 100 X 25mm

AE-26-2669.1 AE-26-2669.2



AE-26-2669.3



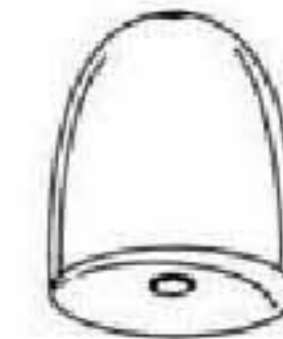
AE-26-2670
 3.0mm



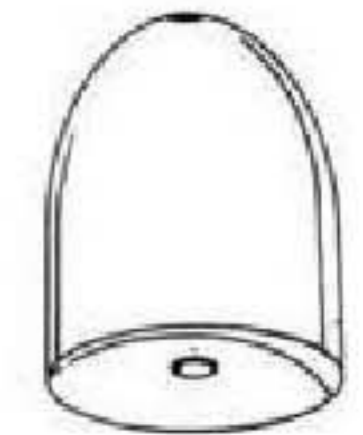
AE-26-2671
 6.0mm



AE-26-2672
 9.0mm



AE-26-2673
 12.0mm



AE-26-2674
 15.0mm



50.0cm

AE-26-2676
 2.0mm

AE-26-2677
 3.0mm

AE-26-2678
 4.0mm

AE-26-2679
 6.0mm

AE-26-2680
 7.0mm

AE-26-2681
 8.5mm

AE-26-2682
 10.0mm

AE-26-2683
 12.0mm

AE-26-2684
 14.0mm



AE-26-2675 12.0cm